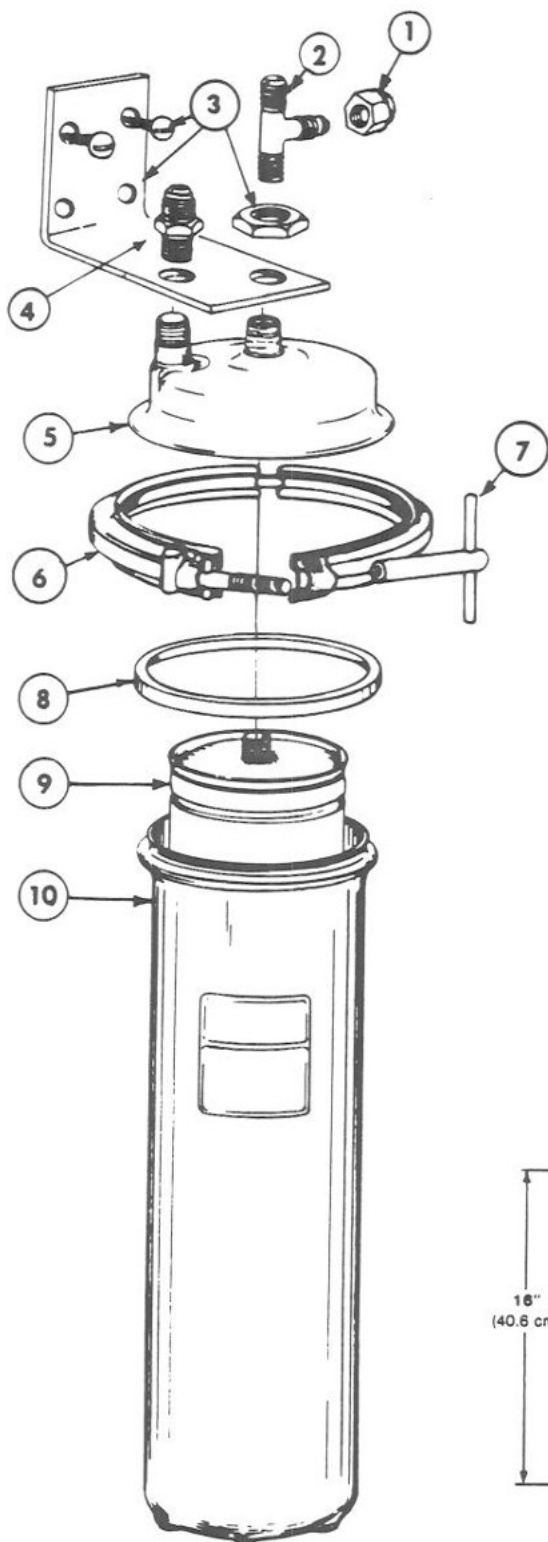


PARTS LIST AND SPECIFICATIONS



EVERPURE®

MODEL C3-TW WATER FILTER

for use with ingredient water
up to 180° F (82° C)

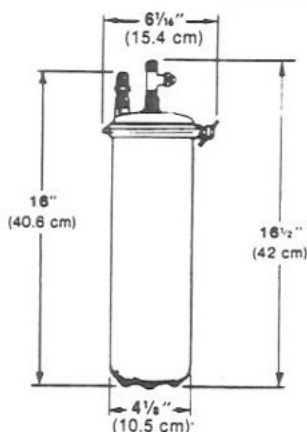
The Everpure C3-TW Water Filter provides continuous control of water quality by solving common water problems. It removes the dirt and impurities that drive off good taste and cause abrasive wear on equipment. The taste and odor of chlorine along with other undesirable tastes and odors that alter beverage flavor are removed at the same time. Water leaves the C3-TW filter free from impurities, off-tastes and odors — perfect for bringing out the best flavors in beverages.

PARTS LIST

Item No.	Description	Part No.
1	3/8" flare cap	0873-03
2	1/4" x 3/8" x 3/8" flare tee	0873-02
3	Bracket, nut and screws	0374-00
4	1/4" x 3/8" flare adaptor	0873-34
5	Top, stainless steel with check valve	3751-00
6	V-Band clamp with T-handle	3469-00
7	T-handle only	3465-00
8	Gasket	0344-00
9	358-TW U-fil® Cartridge	9589-01
10	Shell, stainless steel	0329-11

SPECIFICATIONS

Stainless steel pressure vessel containing non-crushable, sanitarly sealed plastic U-fil cartridge # 9589-01; pre-coat filter with MICRO-PURE® filtering material; 125 PSI (8.6 bar) maximum working pressure; 120 GPH (7.6 lpm) service flow rate; check valve built into inlet nipple of top.



EVERPURE, INC. 660 NORTH BLACKHAWK DRIVE, WESTMONT, ILLINOIS 60559
IN EUROPE: UNIT 10 B KNOCKBEG POINT, SHANNON AIRPORT, REPUBLIC OF IRELAND
IN CANADA: 67 WESTMORE, UNIT 15, REXDALE, ONTARIO, CANADA M9V 3Y7



Pub. No. 13187
 (EVP P/N 3023-35)



Search Everpure:



[HOME](#)

[COMMERCIAL](#)

[HOUSEHOLD](#)

[MARINE/AVIATION](#)

[PRECOAT](#)

[TECHNICAL CENTER](#)

[ABOUT EVERPURE](#)

Monday, June 6, 2005

[international](#) [everpure in the news](#) [contact us](#)

>> >> >> **EV9189-01**

**C3-TW
#EV9189-01**



- Precoat filtration for hot water feed with maximum 180 degree water temperature.
- Stainless steel pressure vessel.
- Sealed plastic replacement cartridge for clean, sanitary changeout.
- Capacity: varies
- Flow Rate: 2 GPM
- Certifications:
- Pack Size: 1

Request Technical Manual

Select Replacement Cartridge

**Find your local
Everpure Distributor**

<< **Back**

©2001-2004 Everpure, Inc. [Privacy Statement](#) / [Terms and Conditions](#)



Liberty
Ersatzteile & Zubehör

Liberty Vertriebs GmbH
Bonner Straße 103
40589 Düsseldorf

Tel.: 0211-753520
Fax.:0211-753575

Internet: www.libertyshop.de
Email: verkauf@libertyshop.de