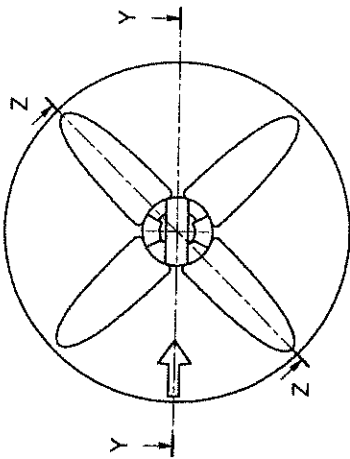
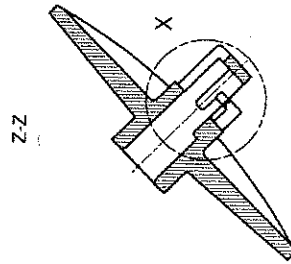
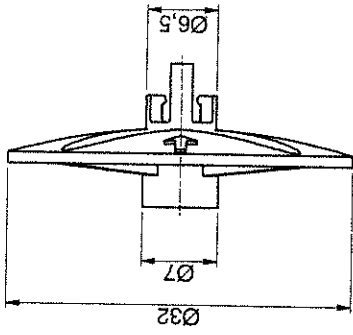
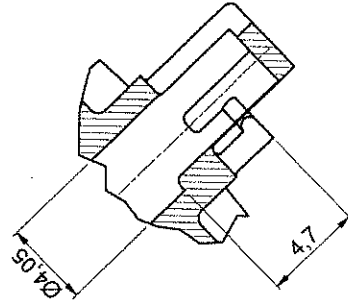


X (4:1)



Y-Y

